

Light-Duty Trolley Operator Specifications



PART 1 GENERAL

1.1 SECTION INCLUDES

- A. Trolley-type door operators for standard lift sectional doors.

1.2 RELATED SECTIONS

- ** Note to Specifier: Please list all applicable CSI Masterformat Sections related to Automatic Door Operators requiring coordination.

1.3 REFERENCES

- ** Note to Specifier: Please list all applicable Standards, Codes and other Reference documentation related to the design, functionality, installation and performance of Automatic Door Operators.

1.4 SUBMITTALS

- ** Note to Specifier: Please list all applicable submittal requirements required for approval.

1.5 DELIVERY, STORAGE, AND HANDLING

- ** Note to Specifier: Please list all applicable delivery, storage and handling requirements for Automatic Door Operators that are pertinent to the project site and conditions.

1.6 WARRANTY

- A. Manufacturer's standard limited 2-year warranty against material and manufacturing defects.

PART 2 PRODUCTS

2.1 MANUFACTURERS

- A. Acceptable Manufacturer: The Chamberlain Group, Inc.; 845 Larch Avenue, Elmhurst, IL 60126-1196. ASD. Tel: (800) 282-6225. Fax: (630) 516-8412. www.chamberlain.com
- B. Substitutions: Not permitted.
- C. Requests for substitutions will be considered in accordance with provisions of Section 01600.

2.2 TROLLEY OPERATED DOOR OPERATOR

- A. Light-Duty Operator: For residential and commercial doors, with anti-burglary coding radio receiver; Model ATS 211X; Chamberlain, Elmhurst, IL.
 - 1. Electric Operator: Model ATS light-duty assembly, cULus Listed and cULus Labeled, complete with electric motor and factory-prewired motor controls; single button OPEN/CLOSE/STOP control station; UL and CSA listed self-monitoring infrared sensing device integral to operator system and accessories required for proper operation; operator shall be capable of driving the door at a speed of approximately 8 inches (203 mm) to 9 inches (229mm) per second.
 - a. Limit Switches: Fully adjustable, driven linear-type switch mechanism synchronizing operator with door.
 - b. Electric Motor: High-starting torque, 1/2 Horsepower, 115 volts, 1 phase motor with instant reverse function and motor overload protection. Motor starter shall be of solid-state circuitry and enclosed in a NEMA 1 enclosure.
 - c. Radio Receiver: LiftMaster 315HM on-board, single-channel receiver with external antenna and equipped to accept Security+ Rolling Code Technology remote transmitters and Trinary Dip Switch remote transmitters. Receiver memory shall accept up to 23 Security+ remote transmitters or unlimited number of Trinary Dip Switch remote transmitters.
 - d. 3-Button Control Station: 1-button station providing OPEN/STOP/CLOSE/REVERSE operation shall be NEMA Type 1
 - 2. Self-Monitoring Safety Operation Application: Operator shall include inherent automatic safety reversal of door (on close) / automatic stop of door (on open) upon encountering an obstruction and shall be provided with fully monitored, non-contact, infrared beam photo sensors to be mounted 6" maximum above the floor that reverse a closing door to the full open position when an obstruction is sensed.

- 3. Track: Heavy-duty steel "I" beam configuration with automatic reconnect trolley in case of manual operation.

PART 3 EXECUTION

3.1 EXAMINATION

- ** Note to Specifier: Please list all requirements regarding examination of the Substrate to which Automatic Door Operators will be mounted.

3.2 PREPARATION

- ** Note to Specifier: Please list all requirements regarding preparation of the Substrate to which Automatic Door Operators will be mounted.

3.3 INSTALLATION

- A. Install in accordance with manufacturer's instructions.

3.4 PROTECTION

- A. Protect installed products until completion of project.
- B. Touch-up, repair or replace damaged products before Substantial Completion.

ATS

Drawbar Operator Light Duty Door Operator

CHAMBERLAIN IS AN ISO9001:2008 REGISTERED COMPANY



I.C./F.C.C.
Certified

Customer _____

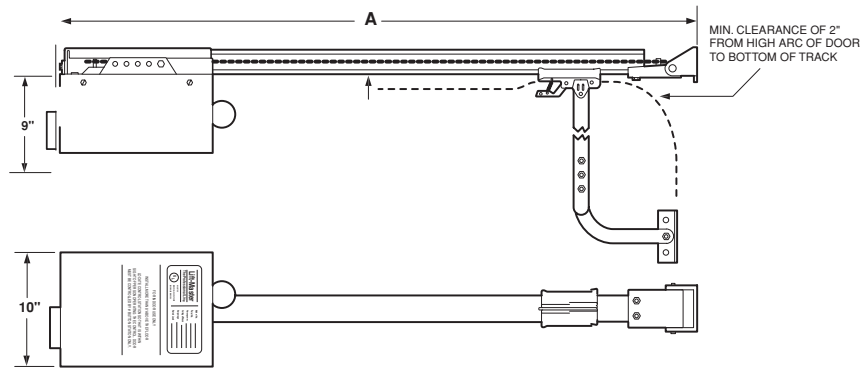
Project _____

Architect/Engineer _____

Contractor _____

Drawing Number _____ Date _____ Sheet _____ of _____

SHOP DRAWING



Door Height	8'	10'	12'	14'
A - Dimension	Door Height + 3'-3"	Door Height + 3'-3"	Door Height + 3'-9"	Door Height + 3'-9"

Specifications for Ordering

1) Supply _____ () LiftMaster Operator(s) Model _____
_____ HP, _____ Volts, _____ Phase, _____ Hertz _____

2) For _____ wide x _____ high door(s) with _____

3) Supply _____ () OPEN/CLOSE/STOP control station(s) in NEMA ____ enclosure per operator

4) Supply auxiliary and optional equipment as specified below (one per operator unless otherwise noted)

Additional Info

Notes:

- 1) Refer to model ATS product data sheet for general information
- 2) Refer to drawing _____ for wiring diagram

Manufactured by:
The Chamberlain Group, Inc.
845 Larch Avenue • Elmhurst, Illinois 60126
For More Information:
call (800) 323-2276
visit www.liftmaster.com or
<http://specs.liftmaster.com/architectscorner>

MOTOR AMPERAGE RATING	
HORSE POWER	VOLTAGE - PHASE - 60Hz
	1/2

LiftMaster
Commercial Door Operators