

# Heavy Industrial-Duty Door Operator Specifications

COMMERCIAL DOOR OPERATOR

GT

MODEL

## PART 1 GENERAL

### 1.1 SECTION INCLUDES

- A. Trolley-type door operators for standard lift sectional doors.

### 1.2 RELATED SECTIONS

- \*\* Note to Specifier: Please list all applicable CSI Masterformat Sections requiring coordination to Automatic Door Operators.

### 1.3 REFERENCES

- \*\* Note to Specifier: Please list all applicable Standards, Codes and other Reference documentation related to the design, functionality, installation and performance of Automatic Door Operators.

### 1.4 SUBMITTALS

- \*\* Note to Specifier: Please list all applicable submittal requirements required for approval.

### 1.5 DELIVERY, STORAGE, AND HANDLING

- \*\* Note to Specifier: Please list all applicable delivery, storage and handling requirements for Automatic Door Operators that are pertinent to the project site and conditions.

### 1.6 WARRANTY

- A. Manufacturer's standard 2-year warranty against material and manufacturing defects.

## PART 2 PRODUCTS

### 2.1 MANUFACTURERS

- A. Acceptable Manufacturer: The Chamberlain Group, Inc.; 845 Larch Avenue, Elmhurst, IL 60126-1196. ASD. Tel: (800) 282-6225. Fax: (630) 516-8412. www.chamberlain.com
- B. Substitutions: Not permitted.
- C. Requests for substitutions will be considered in accordance with provisions of Section 01600.

### 2.2 TROLLEY OPERATED DOOR OPERATOR

- A. Heavy Industrial-Duty for Standard Lift Sectional Door: Continuous-duty, high-starting torque motor with overload protection and emergency disconnect for manual door operation; Model GT; Chamberlain, Elmhurst, IL.
  1. Electric Operator: Model GT heavy industrial-duty assembly, cULus Listed and cULus Labeled, complete with electric motor and factory-wired motor controls, wormgear reduction unit, electric solenoid-actuated brake, 3-button OPEN/CLOSE/STOP control station along with conduit-encased wiring from control circuit to motor and accessories required for proper operation; operator shall be capable of driving door at a speed of approximately 11 to 12 inches (279 mm) to 12 inches (304 mm) per second.
    - a. Primary Drive Reduction: Wormgear-in-oil-bath gear reducer with synthetic "All Climate" oil with 45:1 speed reduction; adjustable torque limiter and quick disconnect door arm to facilitate manual operation; permanently lubricated ball bearings on output shaft; and, output and door driven sprockets
    - b. Brake: Electric solenoid-actuated brake that is capable of stopping and holding a door at any position.
    - c. Limit Switches: Fully adjustable, driven linear-type switch mechanism synchronizing operator with door; low friction nylon limit nuts fitted on treaded steel shaft that rotates on oil-tight self-lubricating bronze bushings; motor shall be removable with affecting limit switch settings.
    - d. Electric Motor: High-starting torque, continuous-duty, industrial-type protected against overload by current sensing and thermal overload devices.
      - 1) Motor Specification
        - \*\* NOTE TO SPECIFIER \*\* - select one of the following):
          - (a) 115V-60Hz-1Phase; 1/2, 3/4, 1, or 1-1/2 HP
          - (b) 208/230V-60Hz-1 Phase; 1/2, 3/4, 1, or 1-1/2 HP
          - (c) 208/230V-60Hz-3 Phase; 1/2, 3/4, 1, or 1-1/2 HP
          - (d) 460V-60Hz-3 Phase; 1/2, 3/4, 1, or 1-1/2 HP
          - (e) 575V-60Hz-3 Phase; 1/2, 3/4, 1, or 1-1/2 HP
      - e. Motor Control and Enclosure: LiftMaster LOGIC 4.0 motor control shall be UL approved microprocessor solid-state type and shall include the capability to select one of seven wiring types; additional features shall include a maintenance alert diagnostic system, programmable timer-to-close w/ timer defeat input, mid-stop programming capabilities and a maximum run timer to provide motor overrun protection; motor control shall be housed in a NEMA 1 enclosure integral to the operator and shall conform to ANSI/NEMA ICS6.
        - 1) Radio Receiver: LiftMaster LOGIC 4.0 on-board, 3-channel receiver with standard external antenna; equipped to accept Security+ Rolling Code Technology remote transmitters and Trinary DIP Switch remote transmitters, with memory for up to 23 Security+ remote transmitters or an unlimited number of Trinary Dip Switch remote transmitters.

- f. 3-Button Control Station: 3-button station providing OPEN/CLOSE/STOP functionality shall be NEMA Type 1 with maintenance alert indicator to signal intervals for routine door and operator maintenance.
  - g. Door Drive: Full #41 roller chain with emergency disconnect for manual door operation.
  - h. Track: Heavy-duty, double-angle, 11 gauge galvanized steel.
  - i. Trolley Assembly: 2 inch (51 mm) by 2 inch (51 mm) galvanized steel angle rails with cast aluminum trolley including plated steel rail spacers with nylon chain-guide assembly.
2. Primary Entrapment Protection Safety Devices
    - \*\*NOTE TO SPECIFIER\*\* for any type of operating mode other than constant contact on the 'Close' button of the 3-button station to lower the door, one of the following UL-Approved and UL-Listed Monitored Entrapment Protection safety devices must be connected directly to the Logic 4 operator; select one of the following):
      - a. Industrial/Commercial Monitored Photo Sensors: CPS-U fully monitored, non-contact, infrared beam photo sensor system shall reverse, in conjunction with the Logic 4 operator, a closing door to the full open position when an obstruction is sensed; photo sensors shall be mounted no higher than 6" maximum above the floor.
      - b. NEMA 4 Monitored Photo Sensors: CPS-UN4 fully monitored, non-contact, infrared beam reversing photo sensor system, with NEMA 4 watertight enclosure shall reverse, in conjunction with the Logic 4 operator, a closing door to the full open position when an obstruction is sensed; photo sensors shall be mounted no higher than 6" maximum above the floor.
      - c. Monitored Sensing Edge Interface: CPS-EI edge interface shall provide a means to attach a 4-wire monitored sensing edge to a Logic 4 operator for continuous monitoring purposes; the edge, in conjunction with the Logic 4 operators shall reverse a closing door to the full open position when an obstruction is sensed; sensing edge supplied by others.
    - 3. Ancillary Entrapment Protection Safety Devices
      - \*\* NOTE TO SPECIFIER\*\* Ancillary Entrapment Protection safety devices are optional and can be used to supplement, but not replace, Primary Entrapment Protection safety devices; select one of the following):
        - a. Retro-Reflective Photo Sensors: CPS-RN4 non-monitored, non-contact, infrared beam photo sensor with polarized reflector for use in conjunction with the CPS-EI edge interface and monitored 4-wire sensing edge; shall reverse a closing door to the full open position when an obstruction is sensed; photo sensor shall be mounted no higher than 6" maximum above the floor.
        - b. Non-Monitored Electric Sensing Edge: 2-wire non-monitored electric edge shall reverse a closing door to the full open position when an obstruction is sensed
        - c. Pneumatic Sensing Edge: Pneumatic (air hose) sensing edge shall reverse a closing door to the full open position when an obstruction is sensed.

## PART 3 EXECUTION

### 3.1 EXAMINATION

- \*\* Note to Specifier: Please list all requirements regarding examination of the Substrate to which Automatic Door Operators will be mounted.

### 3.2 PREPARATION

- \*\* Note to Specifier: Please list all requirements regarding preparation of the Substrate to which Automatic Door Operators will be mounted.

### 3.3 INSTALLATION

- A. Install in accordance with manufacturer's instructions.

### 3.4 PROTECTION

- A. Protect installed products until completion of project.
- B. Touch-up, repair or replace damaged products before Substantial Completion.

**LiftMaster**  
ELITE SERIES™  
LOGIC 4.0

Chamberlain reserves the right to make design or specification changes without notice.

Form LM SPEC GT



# Gear Drawbar Operator

## Heavy Industrial-Duty Door Operator

CHAMBERLAIN IS AN ISO9001:2008 REGISTERED COMPANY



I.C./F.C.C. Certified

Customer \_\_\_\_\_

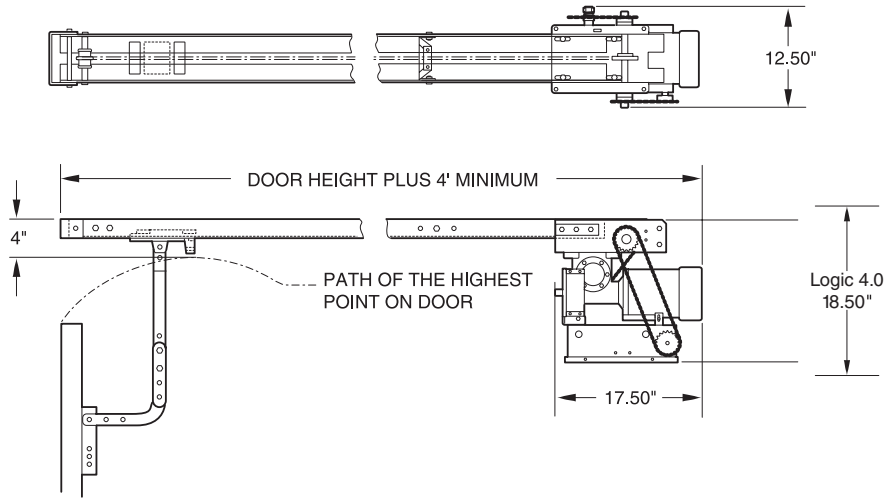
Project \_\_\_\_\_

Architect/Engineer \_\_\_\_\_

Contractor \_\_\_\_\_

Drawing Number \_\_\_\_\_ Date \_\_\_\_\_ Sheet \_\_\_\_\_ of \_\_\_\_\_

### SHOP DRAWING



### Specifications for Ordering

1) Supply \_\_\_\_\_ ( ) LiftMaster Operator(s) Model \_\_\_\_\_  
 \_\_\_\_\_ HP, \_\_\_\_\_ Volts, \_\_\_\_\_ Phase, \_\_\_\_\_ Hertz \_\_\_\_\_

2) For \_\_\_\_\_ wide x \_\_\_\_\_ high door(s) with \_\_\_\_\_

3) Supply \_\_\_\_\_ ( ) OPEN/CLOSE/STOP control station(s) in NEMA \_\_\_\_\_ enclosure per operator

4) Supply auxiliary and optional equipment as specified below (one per operator unless otherwise noted)

Additional Info

### Notes:

- 1) Refer to Model GT product data sheet for general information
- 2) Refer to drawing \_\_\_\_\_ for wiring diagram

Manufactured by:  
 The Chamberlain Group, Inc.  
 845 Larch Avenue • Elmhurst, Illinois 60126  
**For More Information:**  
 call (800) 323-2276  
 visit [www.liftmaster.com](http://www.liftmaster.com) or  
<http://specs.liftmaster.com/architectscorner>

| HORSE POWER | MOTOR AMPERAGE RATING  |        |        |        |        |
|-------------|------------------------|--------|--------|--------|--------|
|             | VOLTAGE - PHASE - 60Hz |        |        |        |        |
|             | 115-1Ø                 | 230-1Ø | 230-3Ø | 460-3Ø | 575-3Ø |
| 1/2         | 11.2                   | 5.6    | 3.1    | 1.4    | 1.2    |
| 3/4         | 11.2                   | 5.6    | 3.1    | 1.4    | 1.2    |
| 1           | 13.6                   | 6.8    | 4.0    | 1.8    | 1.4    |
| 1-1/2       | 17.5                   | 8.7    | 6.6    | 5.0    | 2.4    |

**LiftMaster**<sup>®</sup>  
 Commercial Door Operators